



# Q1 Victorian Cast Iron Face

## Instruction Guide

50-3649 / 50-3738 / 50-3809



# GENERAL INFORMATION

The mounting brackets that come attached to the Q1 will need to be removed and reinstalled to the opposite of the fireplace in order to install the Q1 Victorian Face. A T20 screwdriver and a 3/8" socket will be required for install.

## DIMENSIONS

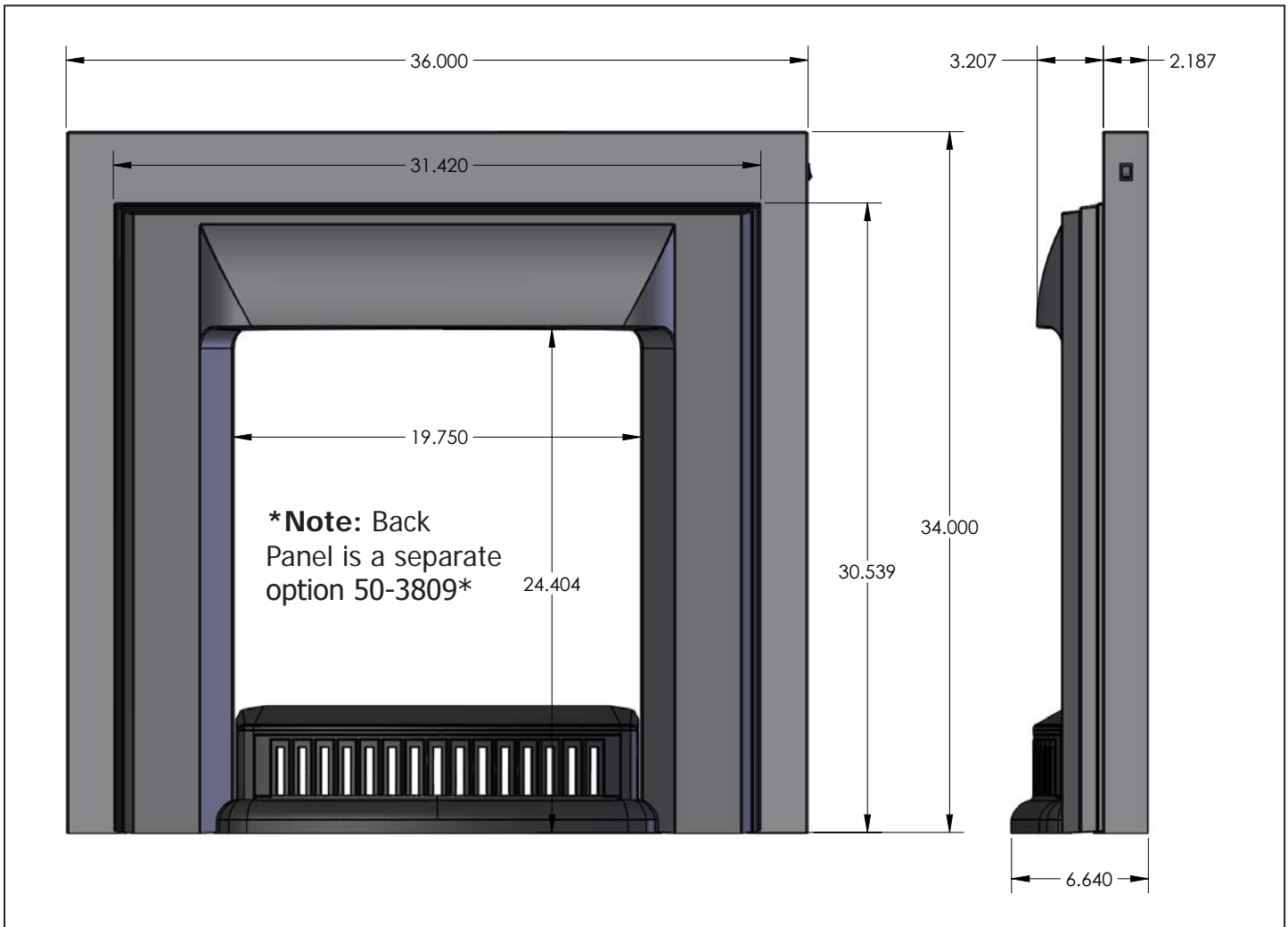


Figure 1: Q1 Victorian Face Dimensions

### **BURNER SWITCH WIRING INSTALLATION** (if using optional back panel 50-3809):

#### ***Note: Instructions not applicable for Q1 IPI units***

The burner switch supplied with the optional back panel comes pre-installed and wired. The wiring from the burner switch simply needs to be connected to the wiring on the Q1 unit. The wiring harness for the burner switch has one (1) blue wire, one (1) grey wire and two (2) purple wires. The blue wire connects to the blue wire on the Q1 unit, the grey wire connects to the grey wire on the Q1 unit, and the purple wires are used to connect an optional thermostat. If not using a thermostat, connect the wires together.

# INITIAL INSTALLATION

## QUALIFIED INSTALLERS ONLY

**Step 1:** Remove the safety screen by lifting up and out.

**Step 2:** Remove the two (2) T20 screws on each side of the cabinet that hold the access door to the Q1 (shown in Figure 2). The access door is no longer needed.

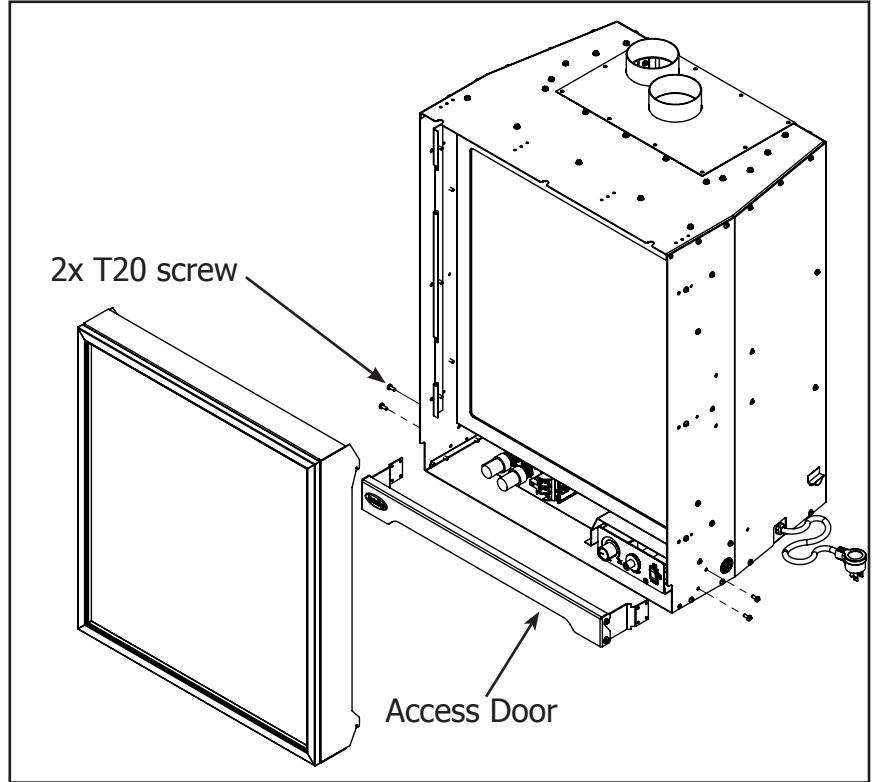


Figure 2: Screen and Access Door Removal

**Step 3:** Remove the Left and Right Surround Mounts by removing the three (3) T20 screws on each part (shown in Figure 3).

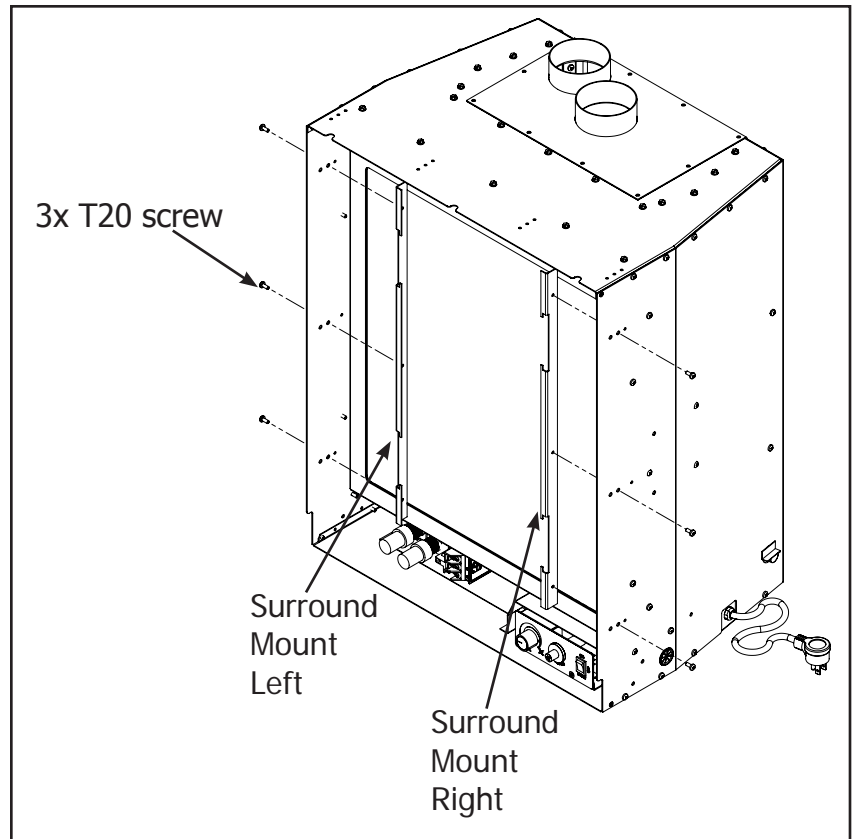


Figure 3: Surround Mount Removal

# INITIAL INSTALLATION

## QUALIFIED INSTALLERS ONLY

### Step 4:

- Install the Left Surround Mount to the outside of the **RIGHT** Cabinet using the three (3) T20 screws (shown in Figure 4)
- Install the Right Surround Mount to the outside of the **LEFT** Cabinet using the three (3) T20 screws (shown in Figure 4).

**Step 5:** Reinstall the screen by doing the reverse of **Step 1**.

**Note:** If not using the optional back panel skip to Step 7.

### Step 6: This Step is **optional**.

If the existing masonry opening is greater than 31.375in width x 30.5in height **OR** the depth is less than 13in, then the back panel will need to be installed.

- Install the back panel to the cast surround by removing the 6 bolts that fasten the hooks and place hooks aside.
- Lay the back panel over the cast, lay the hooks over the back panel, and reinstall the bolts. The parts have slotted holes to provide extra adjustment if needed.

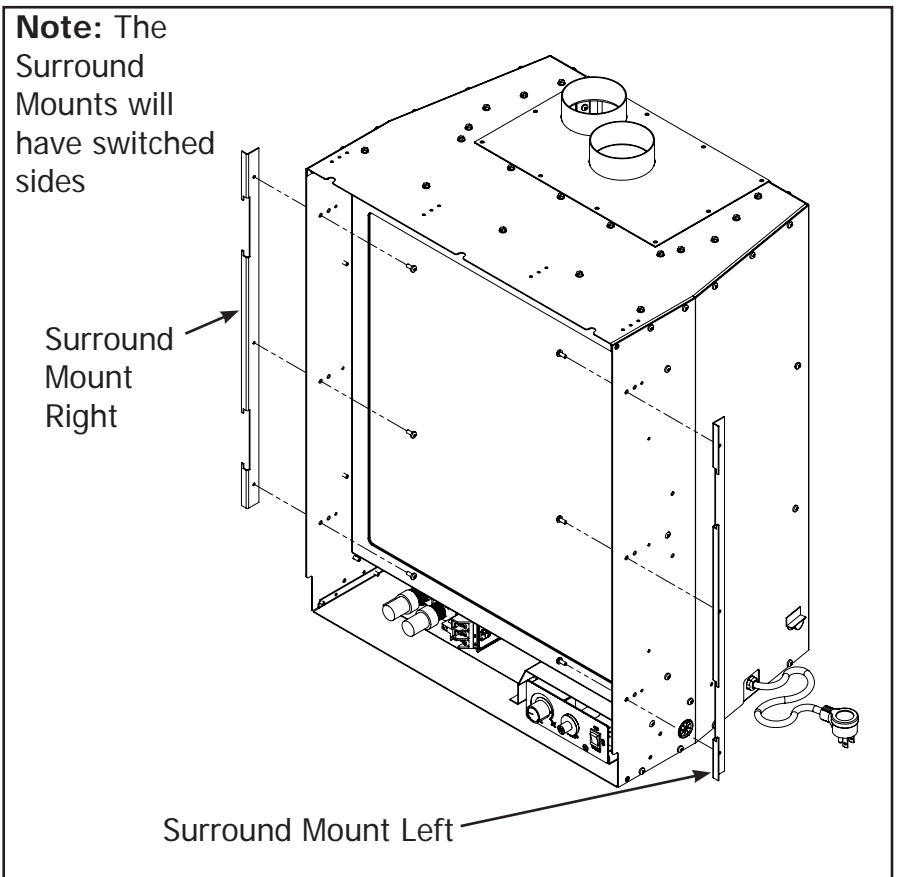


Figure 4: Surround Mount Reinstall

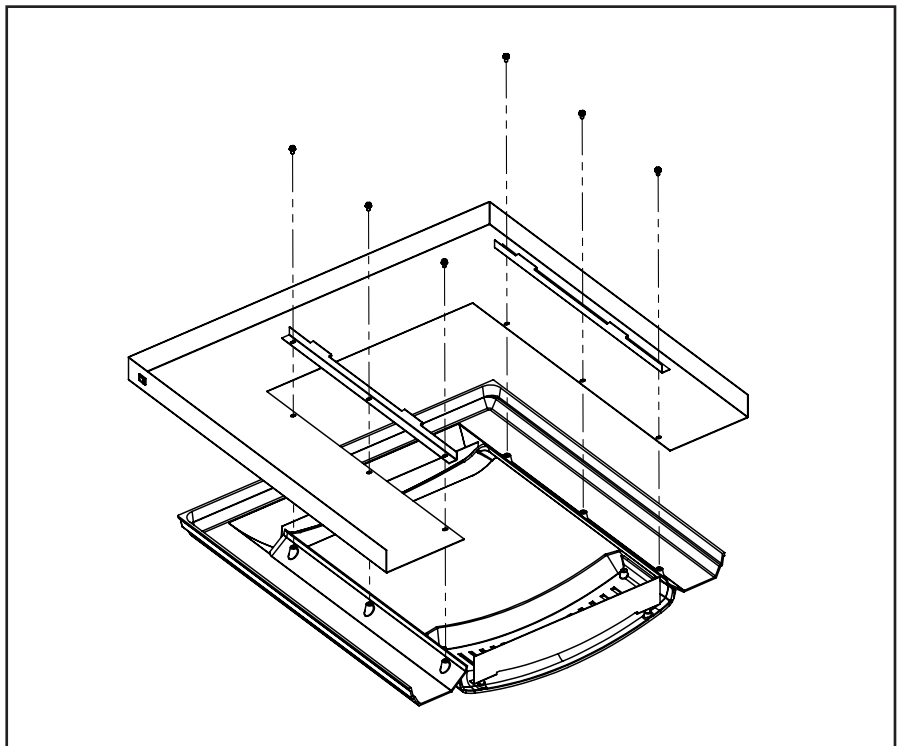


Figure 5: Back Panel Install

# INITIAL INSTALLATION

## QUALIFIED INSTALLERS ONLY

**Step 7:** Install the surround by lifting up and onto the fireplace. Ensure the surround is securely attached to the fireplace before letting go (shown in Figure 6).

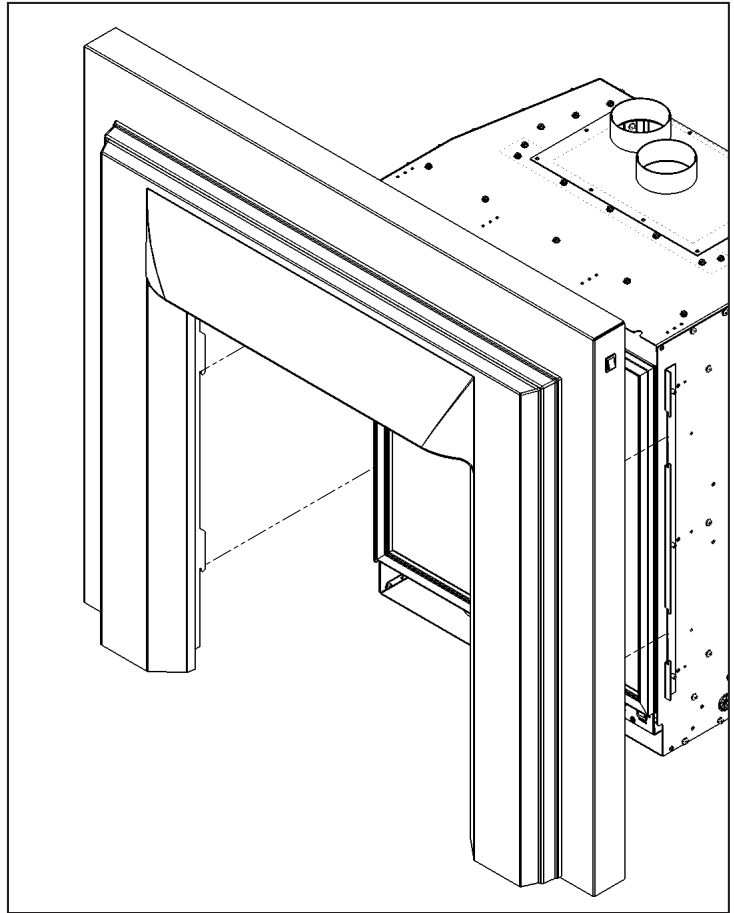


Figure 6: Surround Panel Install

**Step 8:** Install the Fender by sliding it into the fireplace (shown in Figure 7).

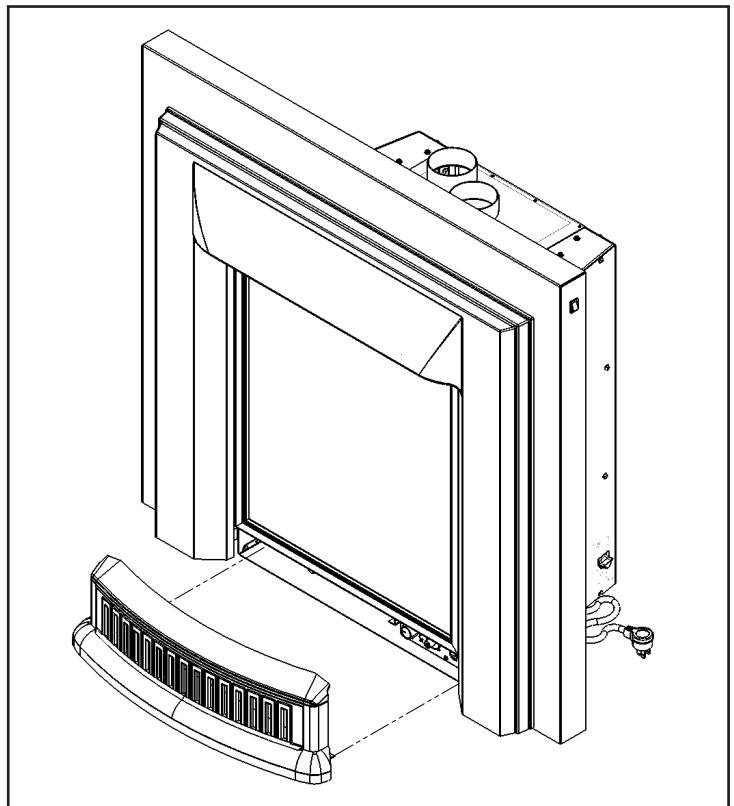


Figure 7: Fender Install

MANUFACTURED BY:  
SHERWOOD INDUSTRIES LTD.  
6782 OLDFIELD RD. SAANICHTON, BC, CANADA V8M 2A3  
July 2019  
C-15805